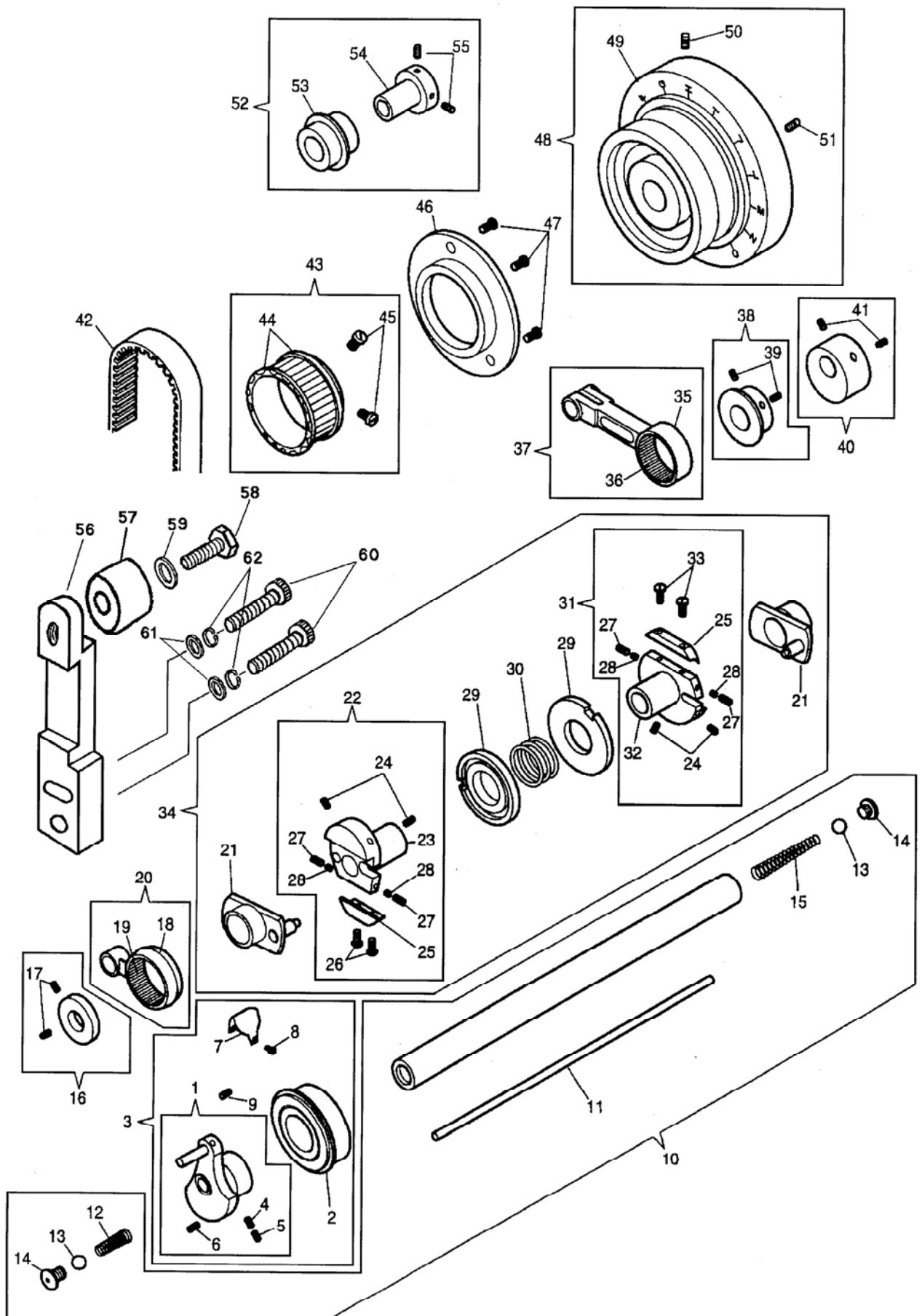


# Part List

## 300UX6



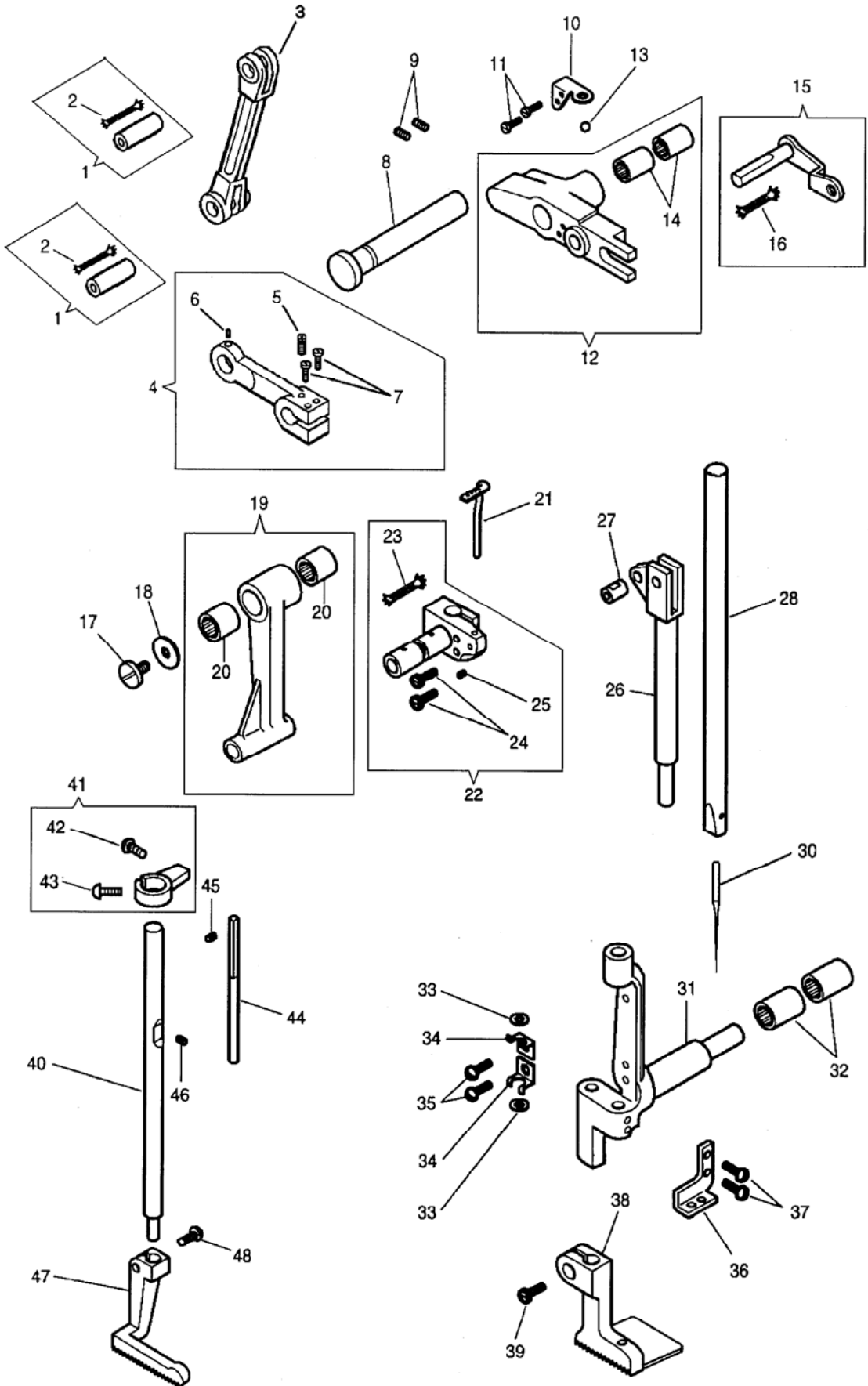
# UPPER SHAFT ASSEMBLY



From the library of: Diamond Needle Corp

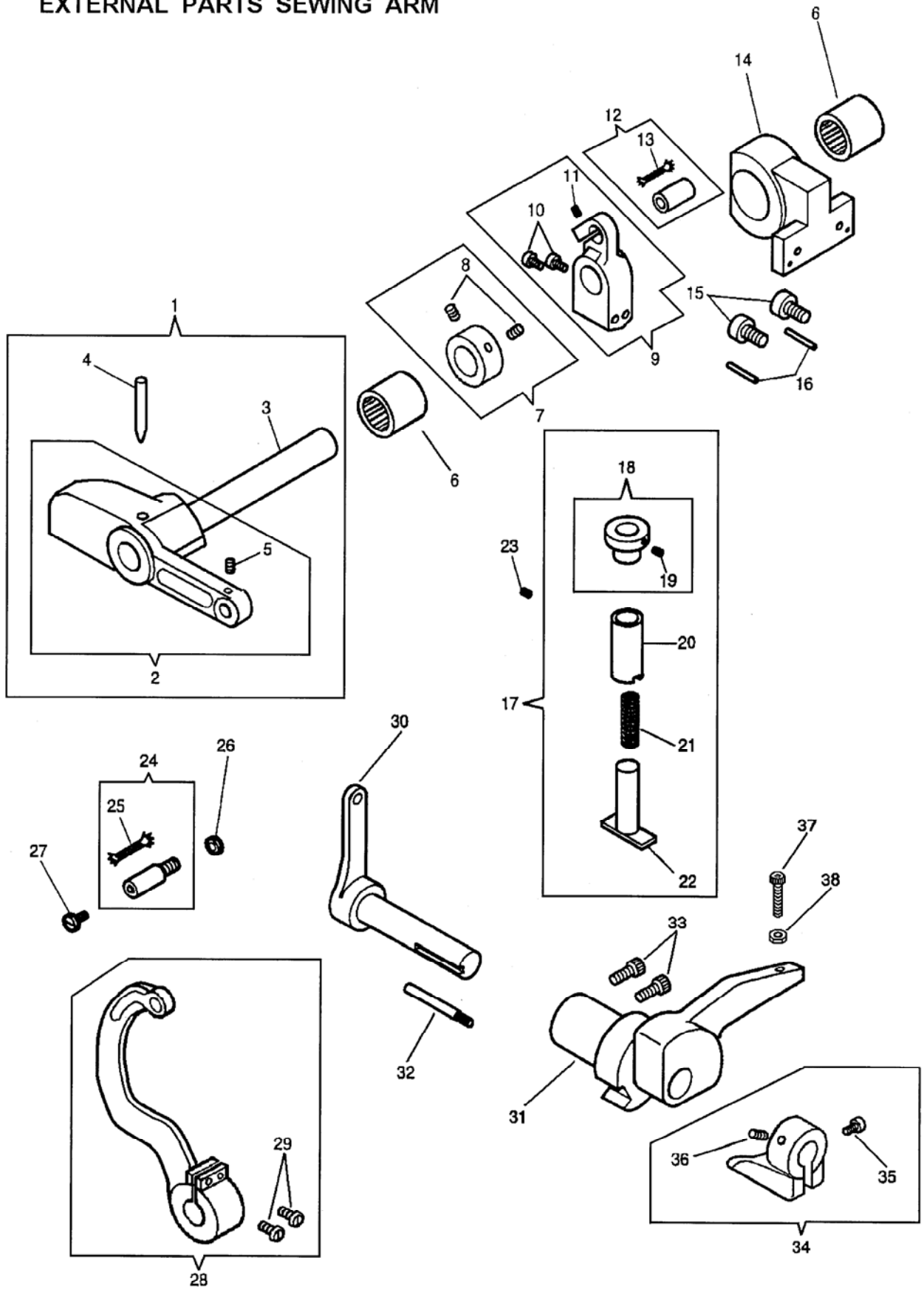
NO.	PART NO.	DESCRIPTION
1	170 415138	CRANK, NEEDLE BAR
2	170 032848	BEARING
3	170 2812239	NEEDLE BAR CRANK COMPLETE
4	170 549024	SCREW
5	170 544358	SET SCREW
6	170 500272	NEEDLE BAR CRANK SCREW
7	170 281206	CRANK COVER
8	170 545205451	SCREW, WHITE
9	170 281258	NEEDLE BAR CRANK OIL PACKING (
10	170 415128	ARM SHAFT
11	170 268264	ROD, OIL CONTROL
12	170 415200	SPRING
13	170 268214	BALL, OIL STOP
14	170 414578	BALL SCREW
15	170 268044	SPRING, OIL STOP BALL
16	170 415308	SPACING COLLAR
17	170 414529	SCREW
18	170 271055	FD DRIVE CONN
19	170 271055	FEED DRIVING CONNECTION NEEDLE
20	170 267609	FEED DRIVING CONN
21	170 267610	FEED DRIVE ECC
22	170 415078	ECCEN FLANGE CPL
23	170 415078	ECCENTRIC FRANGE
24	170 414555	SCREW
25	170 267623	FRICITION PLATE
26	170 374098	SCREW
27	170 414557	SCREW
28	170 241763	PACKING FIBRE
29	170 268065	ECC ADJUSTING DISC
30	170 267618	ADJUSTING DISC SPR
31	170 415076	LIFT ECC FLANGE CPL
32	170 415077	LIFTING ECC FLANGE
33	170 374098	SCREW
34	170 415081	ECCENTRIC COMP
35	170 268491	LIFTING ECCENTRIC
36	170 271055	FEED DRIVING CONNECTION NEEDLE
37	170 268491	LIFTING ECC CONN
38	170 415086	SPACE COLLAR
39	170 414529	SCREW
40	170 281256	BALANCE WEIGHT CPL
41	170 544208005	SCREW
42	170 268270	CONNECTION BELT
43	170 281290	PULLEY
44	170 202253	SPRING FLANGE
45	170 414546	SCREW
46	170 268004451	HOUSING
47	170 544336	STUD SCREW
48	170 281296467	MACHINE PULLEY (W/414525 & 414
49	170 281297467	MACHINE PULLEY
50	170 414525	SCREW
51	170 414526	SCREW
52	170 281294	ARM SHAFT THRUST COLLAR
53	170 272142	BALL BEARING
54	170 281295001	BED SHAFT THRUST COLLAR
55	170 544209005	SET SCREW
56	170 KE0022	BELT TENSION BRACKET
57	170 KE0023	CAM FOLLOWER
58	170 KE0074	CAM FOLLOWE SCREW
59	170 KE0082	CAM FOLLOWER SCREW WASHER
60	170 414753004	BELT TENSION BRACKET SET SCREW
61	270 543803005	WASHER
62	270 543805005	WASHER

# FRONT ASSEMBLY SEWING ARM



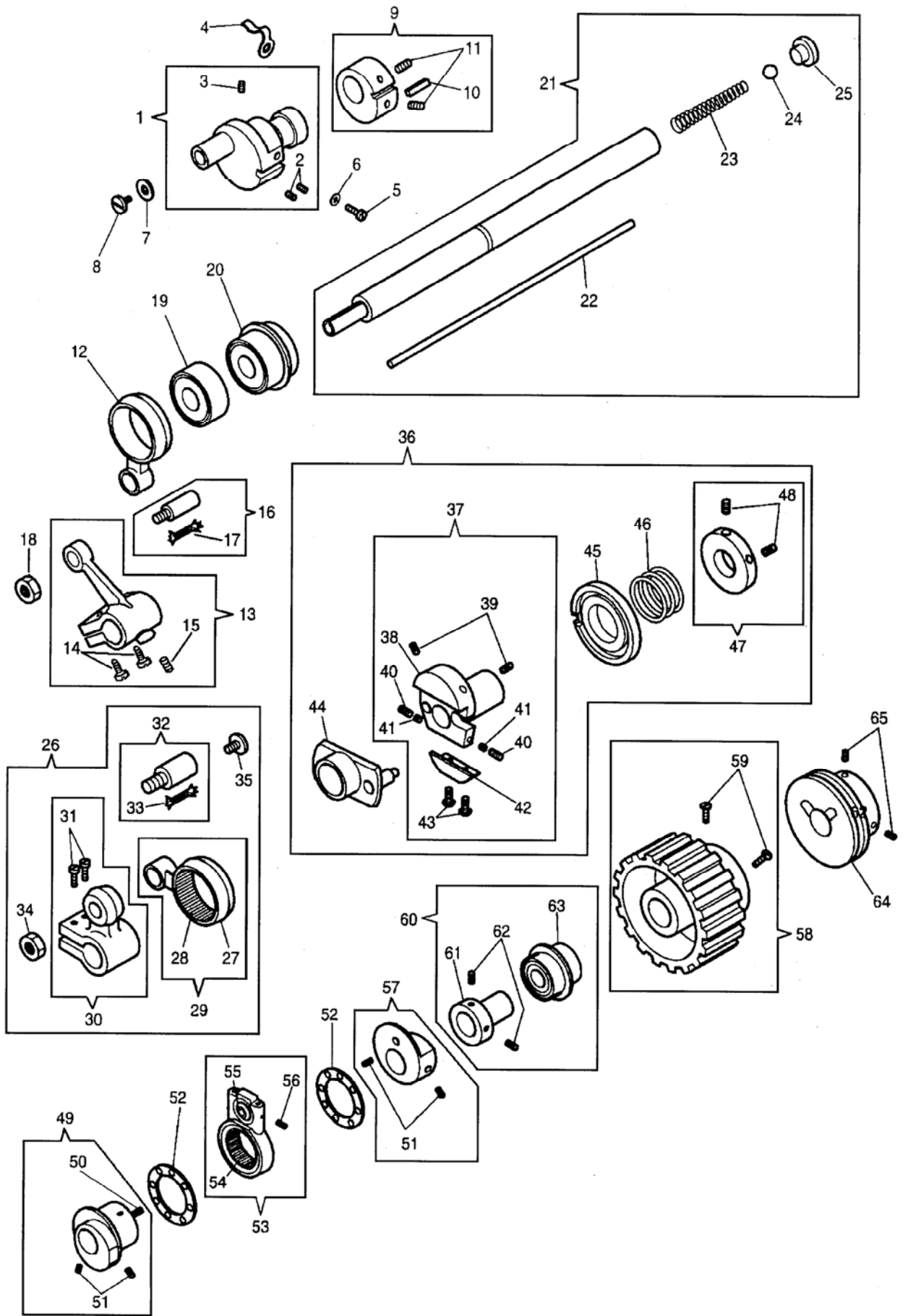
NO.	PART NO.	DESCRIPTION
1	170 267617	LINK HINGE PIN
2	170 268258	PACKING WICK
3	170 267627	LIFTING LINK
4	170 415061	LIFTING CRANK
5	170 141338	SCREW
6	170 141424	SCREW
7	170 414511	SCREW
8	170 267626	HINGE STUD
9	170 544322	SET SCREW
10	170 267718	PRESSER BAR SPRING ARM BALL RE
11	170 414548	RETAINER SCREW
12	170 415067	Lifting lever
13	170 276025	BALL, PRESSER BAR SPRING ARM
14	170 KE0008	LIFTING LEVER BUSHING
15	170 267631	PR BAR LIFT CRANK
16	170 268258	PACKING WICK
17	170 414517	SCREW
18	170 268139	WASHER
19	170 281916	NEEDLE BAR CONNECTING LINK (30
20	170 270266	NEEDLE BEARING (GBH68)
21	170 268512	THREAD GUIDE
22	170 281914	NEEDLE BAR CONNECTING STUD CPL
23	170 202330	OIL WICK
24	170 414511	SCREW
25	170 414545	SET SCREW
26	170 267657	VIB PRESSER BAR
27	170 267658	VIBRATING PRESSER BAR HINGE ST
28	170 281912	NEEDLE BAR
29	170 414519	SCREW
30		SINGER NEEDLE 62x59 size 23
31	170 415045	FRAME, NEEDLE BAR
32	170 268029	NEEDLE BEARING
33	170 268144	N BAR OILING FELT
34	170 268278	OILING FELT HOLDER
35	170 414522	SCREW
36	170 268219	THREAD GUIDE
37	170 414539	SCREW
38	170 KE0069	VIBRATING PRESSER FOOT
39	170 414638	SCREW
40	170 267628	LIFTING PR BAR
41	170 415059	GUIDE BLOCK
42	170 414516	SCREW
43	170 414512	SCREW
44	170 267907	GUIDE ROD
45	170 544301	SCREW
46	170 414530	SCREW
47	170 559059	LIFTING PRESSER FOOT
48	170 414638	SCREW

# EXTERNAL PARTS SEWING ARM



NO.	PART NO.	DESCRIPTION
1	170 032788	ROCK SHAFT
2	170 032788	ROCK SHAFT
3	170 032789	ROCK SHAFT
4	170 548035	PIN
5	170 141424	SCREW
6	170 267110	NEEDLE BEARING,GBH-78
7	170 415065	COLLAR COMP
8	170 504020	SCREW (300UX5)
9	170 415069	CONN CRANK
10	170 414509	SCREW
11	170 374362	SUBSTITUTION REQUIRED
12	170 267617	LINK HINGE PIN
13	170 268258	PACKING WICK
14	170 415071451	LIFTING ROCK SHAFT BRACKET
15	170 414504	SCREW
16	170 543841001	PIN
17	170 415098	STUD COMP
18	170 415099	STUD CAP
19	170 414528	SCREW
20	170 268149	ROCK SHAFT SLEEVE (300UX5)
21	170 214529	SPRING
22	170 268148	STUD
23	170 414527	SCREW
24	170 415091	HINGE STUD
25	170 268258	PACKING WICK
26	170 541197	NUT
27	170 545297	SCREW
28	170 415094451	NEEDLE BAR ROCK FRAM DRIVING ARM
29	170 414790	SCREW
30	170 267612	CRANK, FOOT LIFT
31	170 267719452	ARM FULCRUM (WHITE)(HIGH LIFT)
32	170 414566	SCREW STUD
33	170 350604	SCREW
34	170 415122	FT L ARM COMP
35	170 414509	SCREW
36	170 545213	SET SCREW
37	170 414750004	PRESSER BAR SPRING ARM FULCRUM
38	170 541166001	NUT

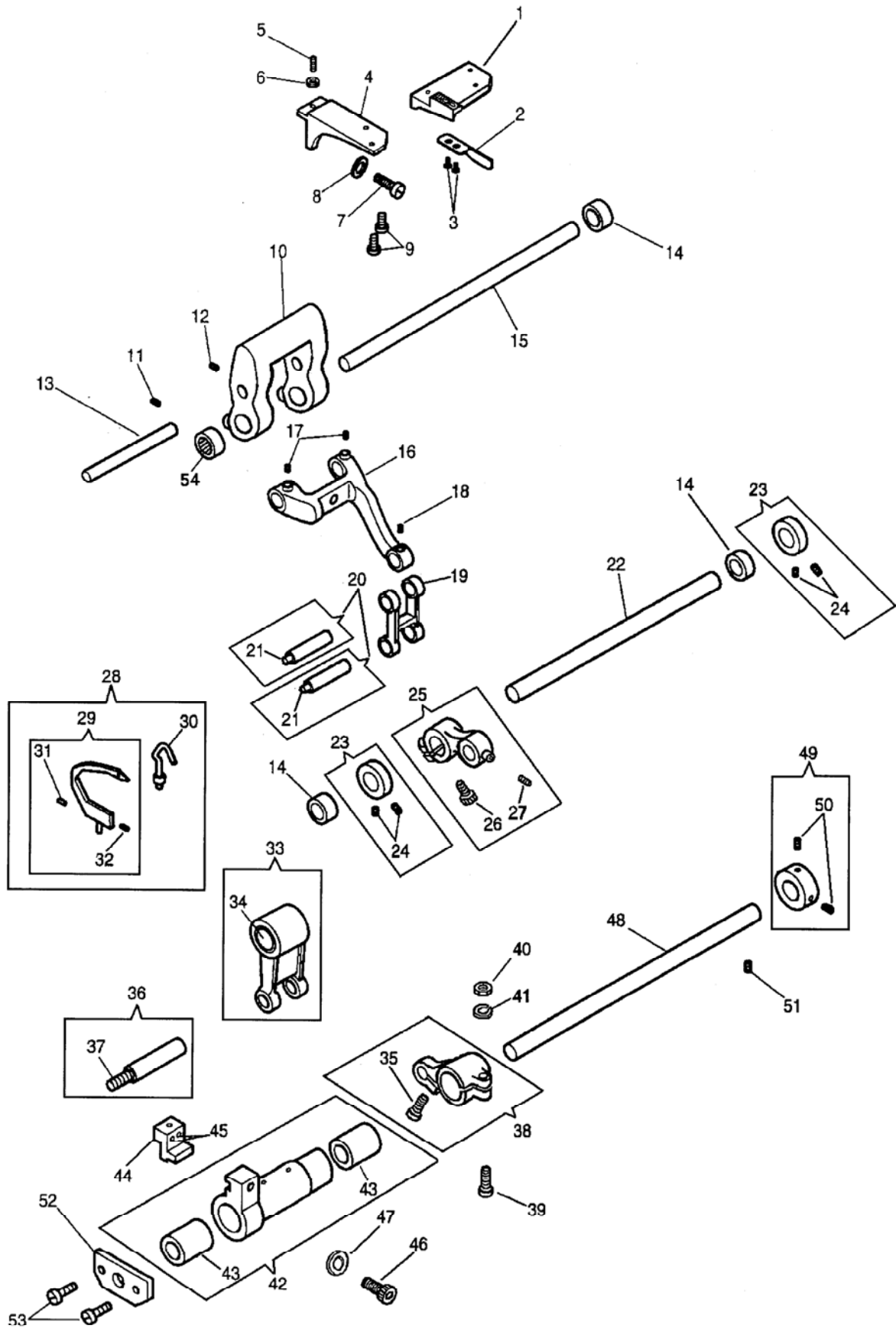
# LOWER SHAFT ASSEMBLY



From the library of: Diamond Needle Corp

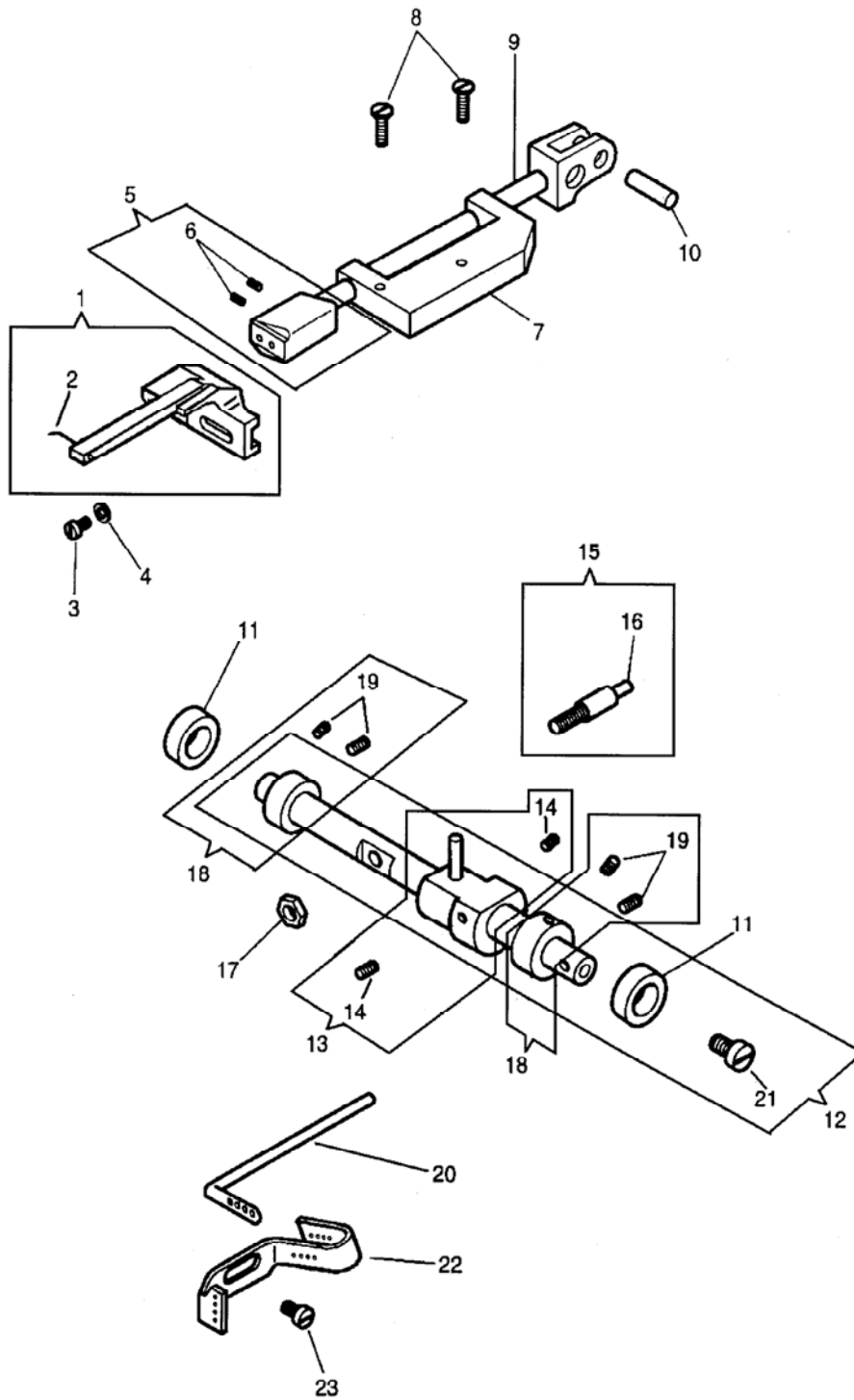


NO.	PART NO.	DESCRIPTION
1	170 415176	DRIVE CRANK
2	170 374099	SCREW
3	170 500264833	LOOPER DRIVING CRANK SET SCREW
4	170 268102	COVER, OIL HOLE
5	170 414563	SCREW
6	170 204925	SPRING STUD WASHER(5)
7	170 268139	WASHER
8	170 200100	SCREW
9	170 415210	FEED LIFT ECCEN
10	170 268077	LUBRICATING PAD
11	170 544208005	SCREW
12	170 268074	FD LIFT CONNECTION
13	170 415206	ROCK SHAFT CRANK
14	170 414511	SCREW
15	170 414549	SCREW
16	170 415091	HINGE STUD
17	170 268258	PACKING WICK
18	170 541197	NUT
19	170 281216	BED SHAFT BALL BEARING
20	170 281224	BED SHAFT BALL BEARING
21	170 559038	BED SHAFT CPL
22	170 268265	CONTROL ROD
23	170 268044	SPRING, OIL STOP BALL
24	170 268214	BALL, OIL STOP
25	170 414578	BALL SCREW
26	170 415215	DRIVE SHAFT COMP
27	170 271055	FD DRIVE CONN
28	170 271055	FEED DRIVING CONNECTION NEEDLE
29	170 267609	FEED DRIVING CONN
30	170 415213	SHAFT CRANK
31	170 414511	SCREW
32	170 415091	HINGE STUD
33	170 268258	PACKING WICK
34	170 541197	NUT
35	170 545297	SCREW
36	170 415082	ECCENTRIC COMP
37	170 415073	FEED DRIVING ECC FLANGE
38	170 415073	SUBSTITUTION REQUIRED
39	170 414555	SCREW
40	170 414557	SCREW
41	170 241763	PACKING FIBRE
42	170 267623	FRICITION PLATE
43	170 374098	SCREW
44	170 267610	FEED DRIVE ECC
45	170 268065	ECC ADJUSTING DISC
46	170 268066	ADJUSTING DISC SPR
47	170 412011	SPRING COLLAR
48	170 544325	SET SCREW
49	170 415187	SPREADER DRIVING ECCENTRIC
50	170 543808002	PIN
51	170 414528	SCREW
52	170 268220	THRUST WASHER
53	170 281246001	SPREADER DRIVING ECC CPL
54	170 415368	NEEDLE BEARING (300UX5)
55	170 281248	SPRD DR RCK SHFT SCR STD BALL
56	170 544203001	SCREW
57	170 415190	COUNTER BALANCE (300UX5)
58	170 281292	BED SHAFT CONNECTION BELT PULL
59	170 414546	SCREW
60	170 281294	ARM SHAFT THRUST COLLAR
61	170 281295001	BED SHAFT THRUST COLLAR
62	170 544209005	SET SCREW
63	170 272142	BALL BEARING
64	170 KE0038	BED SHAFT PULLEY
65	170 544209005	SET SCREW



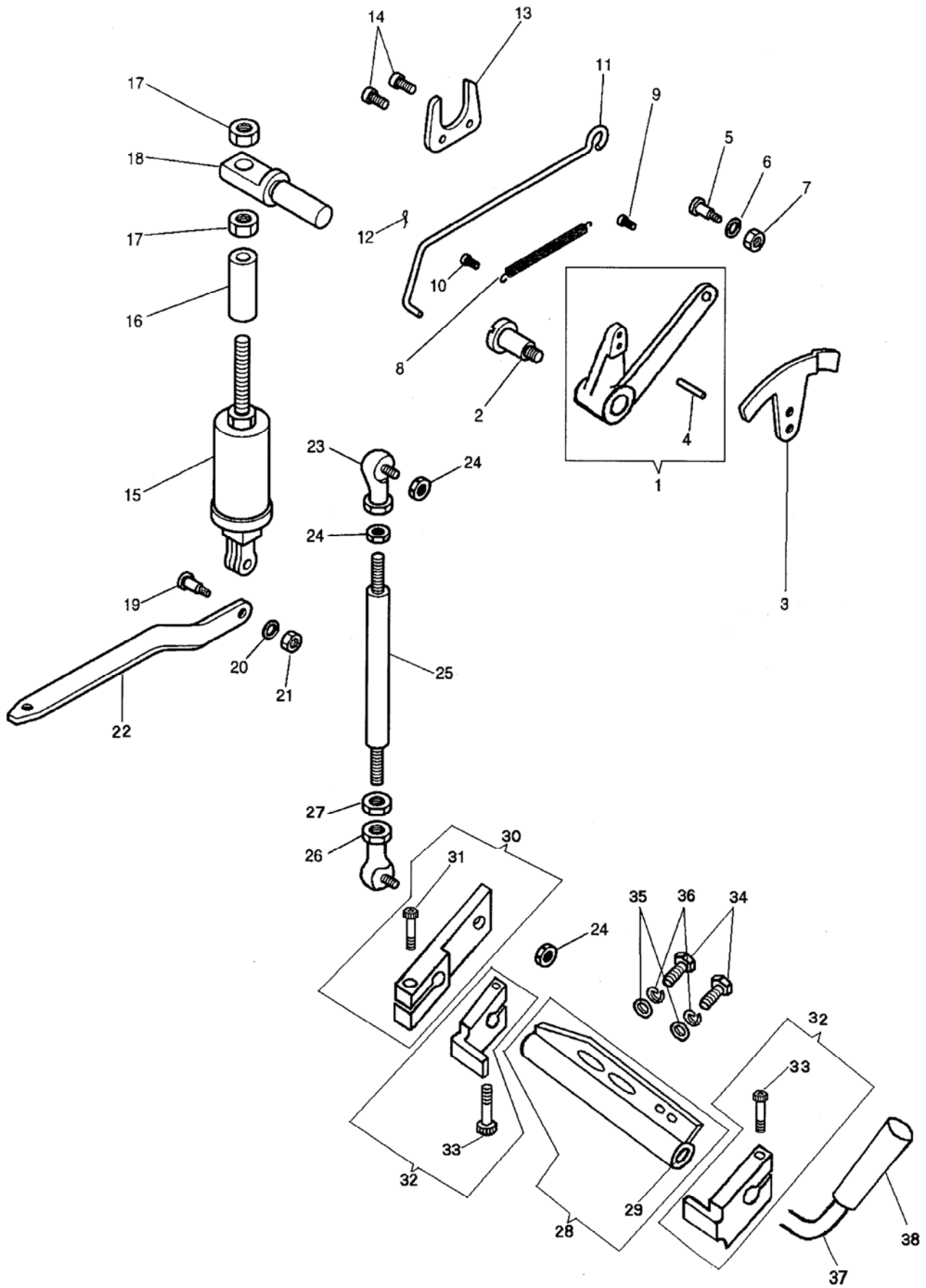
NO.	PART NO.	DESCRIPTION
1	170 559061	FEED DOG
2	170 267665	LOOP DEFLECTOR
3	170 412176	LINK, CONN CRANK
4	170 559064	FEED DOG SHANK
5	170 414559	SCREW
6	170 541200	LOCK NUT
7	170 414750002	SCREW
8	170 543804004	WASHER
9	170 374107003	SCREW
10	170 559049	FEED DRIVE ROCK FRAME
11	170 549024	SCREW
12	170 500264833	FEED DRIVING ROCK FRAME SET SCREW
13	170 559051	FEED BAR HINGE PIN
14	170 415297	BUSHING
15	170 268070	SHAFT, DRIVE ROCK
16	170 559045	FEED BAR
17	270 544204001	SCREW
18	170 545213	SET SCREW
19	170 268078	FEED LIFTING LINK
20	170 268079	LINK HINGE PIN
21	170 268258	PACKING WICK
22	170 559052	FEED LIFTING ROCK SHAFT
23	170 415065	COLLAR COMP
24	170 504020	SCREW (300UX5)
25	170 415204	CRANK
26	170 414501	SCREW
27	170 545213	SET SCREW
28	170 281208	LOOPER COMPLETE WITH GUARD
29	170 268382	LOOPER ONLY (ORDER 281207 FOR
30	170 281207	NEEDLE GUARD
31	170 141478	SCREW
32	170 141494	SCREW
33	170 281223	LOOPER DRIVING CONNECTION CPL
34	170 415500	BUSHING
35	170 414516	SCREW
36	170 268208	CRANK HINGE PIN
37	170 268258	PACKING WICK
38	170 415174	LOOPER CARR CR CPL
39	170 415292	CLAMPING STUD
40	170 541198	NUT
41	170 548459	WASHER
42	170 559041	LOOPER CARRIER
43	170 415500	BUSHING
44	170 559055	LOOPER HOLDER CPL
45	170 414558	SCREW
46	170 414750002	SCREW
47	170 543804004	WASHER
48	170 269617	CARRIER SHAFT
49	170 415172	SHAFT COLLAR
50	270 544204001	SCREW
51	170 544209003	SCREW
52	170 559044	LOOPER CARRIER SHAFT SUPPORTIN
53	170 200100	SCREW
54	170 415297	NEEDLE BEARING

# CROSS SHAFT IN SEWING BED



NO.	PART NO.	DESCRIPTION
1	170 281975	SPREADER
2	170 268162	SPREADER POINT
3	170 414552	SCREW
4	170 547670	WASHER
5	170 415196	SPREADER HOLDER
6	170 414529	SCREW
7	170 268184	SPREADER BAR BRACKET
8	170 414524	SCREW
9	170 559065	SPREADER BAR
10	170 268190	SPREADER DRIVE PIN
11	170 415297	BUSHING
12	170 415389	ROCK SHAFT
13	170 415194	CRANK COMP
14	270 544204001	SCREW
15	170 281249	SPREADER DRIVING ROCK SHAFT SC
16	170 032825	OIL WICK
17	170 545424	NUT
18	170 415065	COLLAR COMP
19	170 504020	SCREW (300UX5)
20	170 268052	LOOPER TAKE UP ROD
21	170 545385	SCREW
22	170 269619	THREAD GUIDE
23	170 414510	SCREW

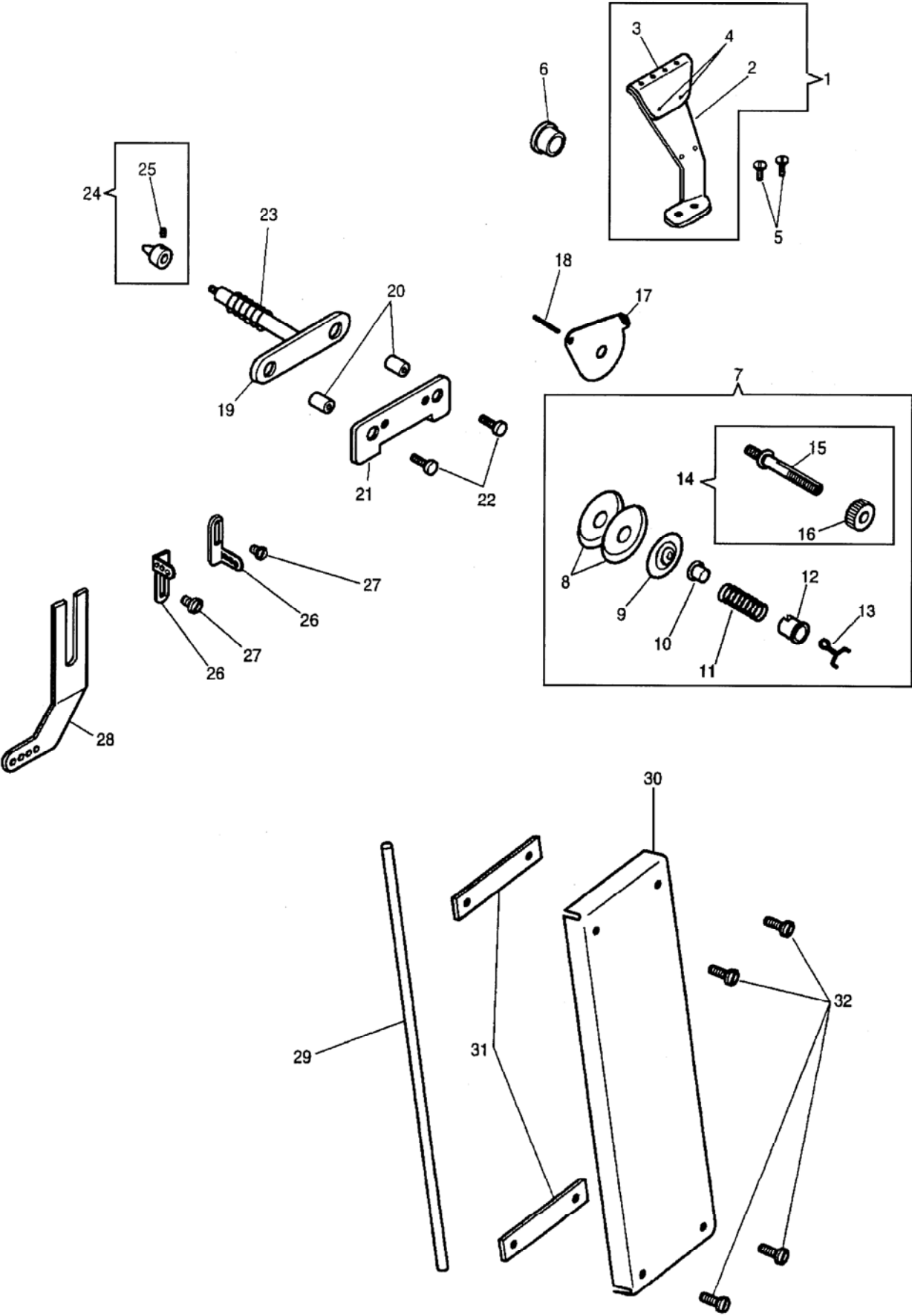
# EXTERNAL PARTS SEWING ARM



From the library of: Diamond Needle Corp

NO.	PART NO.	DESCRIPTION
1	170 KE0085	FOOT LIFTER LEVER
2	170 201363	SCREW 300W
3	170 267707	RELEASING PLATE
4	170 543850001	PLATE PIN
5	170 414577	HINGE SCREW
6	170 543804004	WASHER
7	170 541166003	NUT
8	170 204348	SWITCH SPRING
9	170 414570	SCREW
10	170 544336	STUD SCREW
11	170 267704	LIFTER LEVER ROD
12	170 248423	COTTER PIN
13	170 267650	RETAINER
14	170 545205451	SCREW, WHITE
15	170 415106	PRESSER BAR SPRING HOUSING ASS
16	170 559077	PRESSER BAR SPRING HOUSING COL
17	170 541198	NUT
18	170 267714	HOUSING SUPPORT
19	170 414567	HINGE SCREW
20	170 548154	SCREW WASHER
21	170 545405	NUT
22	170 267738	PR BAR SPR ARM
23	170 412373	CONNECTION (UPPER)
24	170 541166001	NUT
25	170 559068	LIFTING ROD
26	170 559067	LIFTING ROD CONNECTION (LOWER)
27	170 414774	NUT
28	170 KE0026	FOOT LIFT PIVOT COMPLETE
29	170 KE0030	BUSHING
30	170 KE0083	FOOT LIFT LEVER COMPLETE
31	170 414753004	BELT TENSION BRACKET SET SCREW
32	170 KE0084	STOP COLLAR COMPLETE
33	170 414750004	PRESSER BAR SPRING ARM FULCRUM
34	170 544499072	SCREW
35	270 543803005	WASHER
36	270 543805005	WASHER
37	170 KE0034	PIVOT ARM
38	170 KE0035	HANDLE

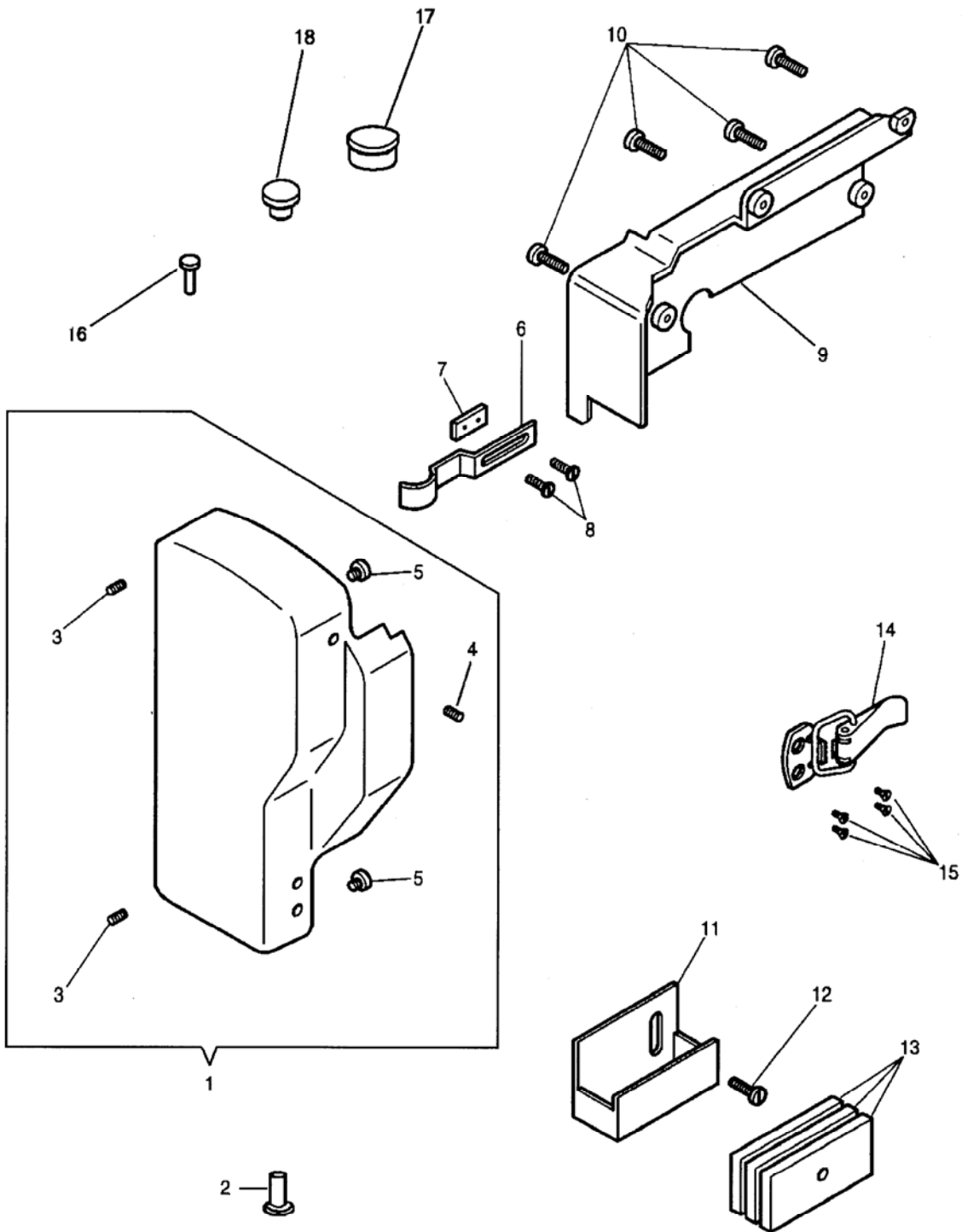
EXTERNAL PARTS SEWING ARM





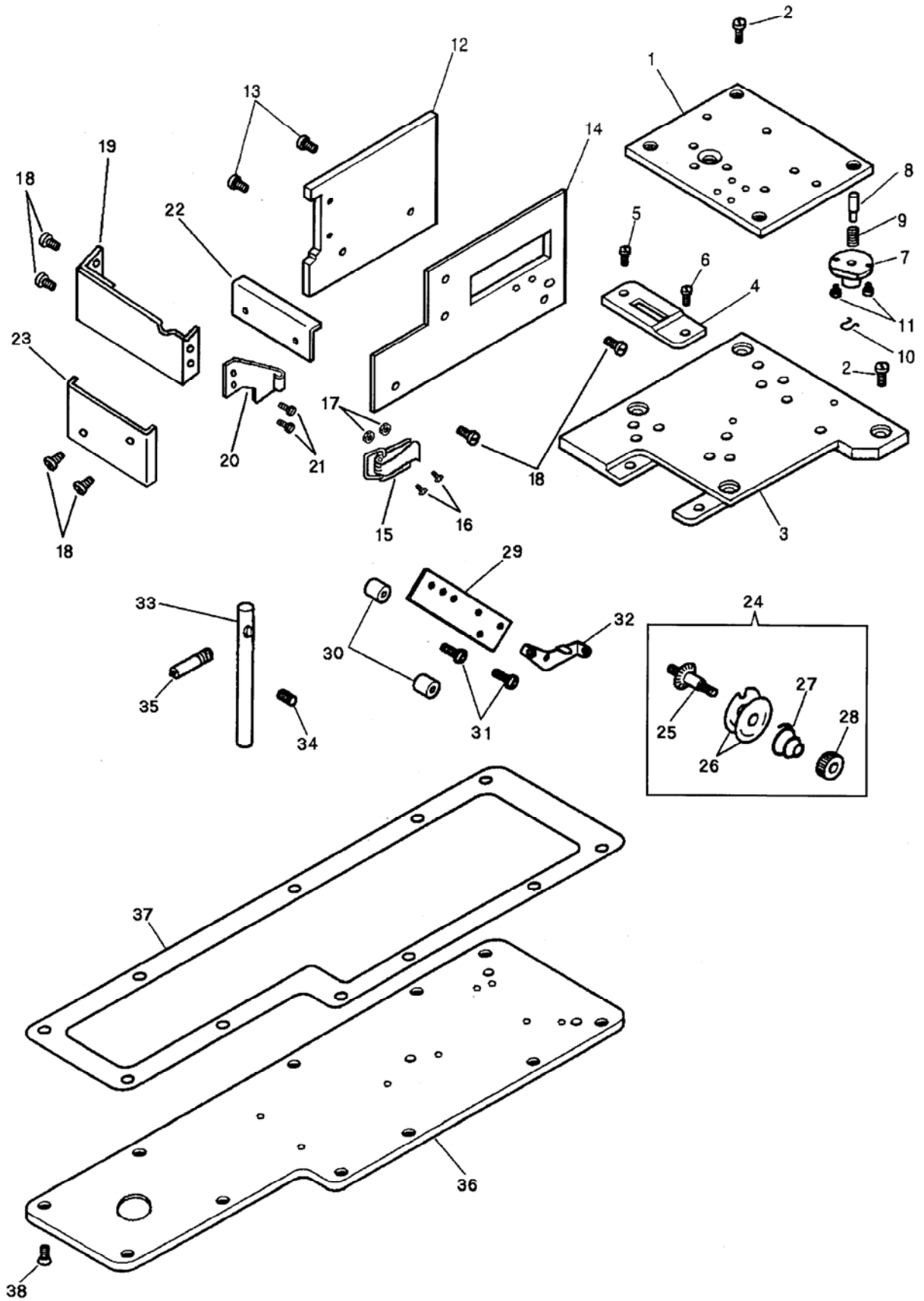
NO.	PART NO.	DESCRIPTION
1	170 268506	TH GUIDE BRACKET
2	170 268111	LOOPER BRACKET
3	170 268505	LOOPER TH GUIDE
4	170 050169	SCREW (5)
5	170 414537	SCREW
6	170 544875	PLUG
7	170 267971	THREAD TENSION
8	170HA046072	TENSION DICS
9	170 032572	TENSION DISC (5)
10	170 059538	SPRING BUSHING
11	170 131741	TENSION SPRING
12	170 143657	BUSHING
13	170 143658	LOCKING SPRING
14	170 059539	TENSION SCREW STUD
15	170 059539	TENSION SCREW STUD
16	170 051570	NUT
17	170 054279	THREAD GUIDE
18	170 226206	LATCH SPRING PIN
19	170 415357	TENSION RELEASER
20	170 543853003	NEEDLE THREAD TENSION BRACKET
21	170 268167	TENSION BRACKET
22	170 544336	STUD SCREW
23	170 204365	SPRING
24	170 415252	RELEASER CAP
25	170 504048	SCREW
26	170 268513	N THREAD GUIDE
27	170 414514	SCREW
28	170 268312	THREAD GUIDE
29	170 268123	THREAD TUBE
30	170 415342451	LOOPER THREAD TUBE COVER
31	170 268500	GASKET
32	170 414639	GUIDE SCREW

# EXTERNAL PARTS SEWING ARM



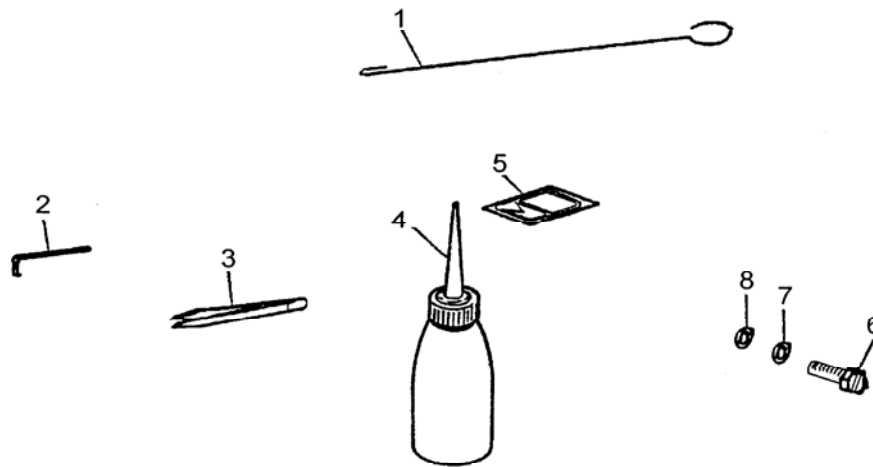
NO.	PART NO.	DESCRIPTION
1	170 KE0021	FACE PLATE (WITH 268033)
2	170 268330	FACE PLATE HINGE STUD
3	170 544053	SET SCREW
4	170 268033	LOCK STUD
5	170 228661	COVER CUSHION
6	170 268032	LOCK SPRING
7	170 415016	SPRING PLATE
8	170 414534	SCREW
9	170 KE0072	ARM SIDE COVER
10	170 545295	SCREW
11	170 267656452	THREAD LUBRICATOR
12	170 545385	SCREW
13	170 236957	OIL PAD,THREAD LUBRICATOR (FEL
14	170 559032	FACE PLATE LOCKER
15	170 374397002	FACE PLATE LOCKER SCREW
16	170 KE0007	FACE PLATE HINGE STUD
17	170 544875	PLUG
18	170 502986	PLUG

# EXTERNAL PARTS SEWING ARM



NO.	PART NO.	DESCRIPTION
1	170 KE0073	BED PLATE (RIGHT)
2	170 414508	SCREW
3	170 KE0037	BED PLATE (LEFT)
4	170 559060	THROAT PLATE
5	170 374107001	THROAT PLATE SCREW (BACK)
6	170 200100	SCREW
7	170 KE0075	FEED REGULATING STUD SOCKET
8	170 268081	STUD, FEED REG
9	170 270026	FEED REG STUD SPR
10	170 240245	RETAINING SPRING, (5PK)
11	170 545249452	FEED REGULATING STUD SOCKET SC
12	170 559075	BED COVER (BACK)
13	170 414520	SCREW
14	170 KE0068	BED COVER (FRONT)
15	170 KE0044	BED COVER (FRONT) LOCKER
16	270 544211051	STRIKER SCREW
17	170 541164001	NUT
18	170 544217052	SET SCREW (300UX5)
19	170 KE0039	LOOPER COVER
20	170 KE0042	SNAP HOOK LATCH
21	170 544217052	SET SCREW (300UX5)
22	170 559074	BED COVER (LEFT)
23	170 KE0043	END COVER
24	170 415294	TENSION COMP
25	170 415291	TENSION STUD
26	170 412203	TENSION DISC
27	170 010148	SPRING
28	170 541452	NUT
29	170 415255	TENSION BRACKET
30	170 543853003	NEEDLE THREAD TENSION BRACKET
31	170 414532	SCREW
32	170 268333	THREAD GUIDE
33	170 052239	LOOPER THREAD GUIDE
34	270 544211052	SCREW
35	170 559078	LOOPER THREAD GUIDE (PIPE)
36	170 KE0005	BOTTOM PLATE
37	170 559034	BOTTOM PLATE GASKET
38	170 414533	SCREW

# ACCESSORIES



NO.	PART NO.	DESCRIPTION
1	170 415377	THREADER WIRE
2	170 021887	WRENCH
3	270 BENT TWEEZER	BENT TWEEZERS, METAL
4	170 413448001	OILER
5	160 411201120	NEEDLE, 62X59
6	170 KE0015	BOLT
7	170 KE0016	WASHER
8	170 KE0017	SPRING WASHER